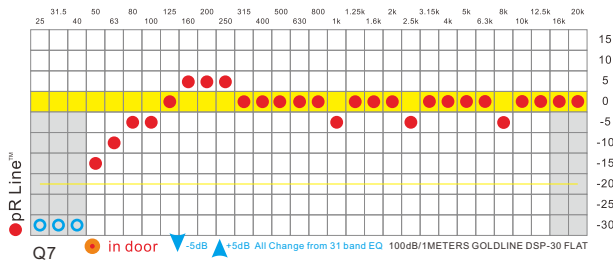


2-way In-Wall Speaker
<http://djav.com/av>

- 100% Factory Quality Control
- 100% Factory Speaker Construction
- 100% Factory Tested
- 5 year Warranty
- Manufactured with Pride in the United States

High-Output In-Wall Speaker



SPECIFICATIONS:

System Type:	LF (1 x Djav 8LV2ii) Multi-way, Full range, bass ported
Frequency Range:	HF (1 x Djav H452) High Frequency Driver Protection: SP DDP™
Power Capacity:	Input Connection: One two-terminal barrier strip input connectors
Recommended Power Amplifier:	Enclosure Hardware: 3/4" MDF wood, UPWE™ Special White polyurea finish
Sensitivity (1w/1m):	Grille: Nylon dust net cover
Maximum Output:	Cover Dimensions (H x W x D): 23.622" x 11.81" x 0.76" 600 mm x 300 mm x 19.5 mm
Nominal Impedance:	In-Wall Dimensions (H x W x D): 22.25" x 11.125" x 3.24" 546 mm x 546 mm x 83 mm
Nominal Dispersion:	Weight: 26 lbs (11.56Kg)
Crossover:	Shipping weight: 29 lbs (12.9 kg)
Drivers:	

APPLICATIONS:

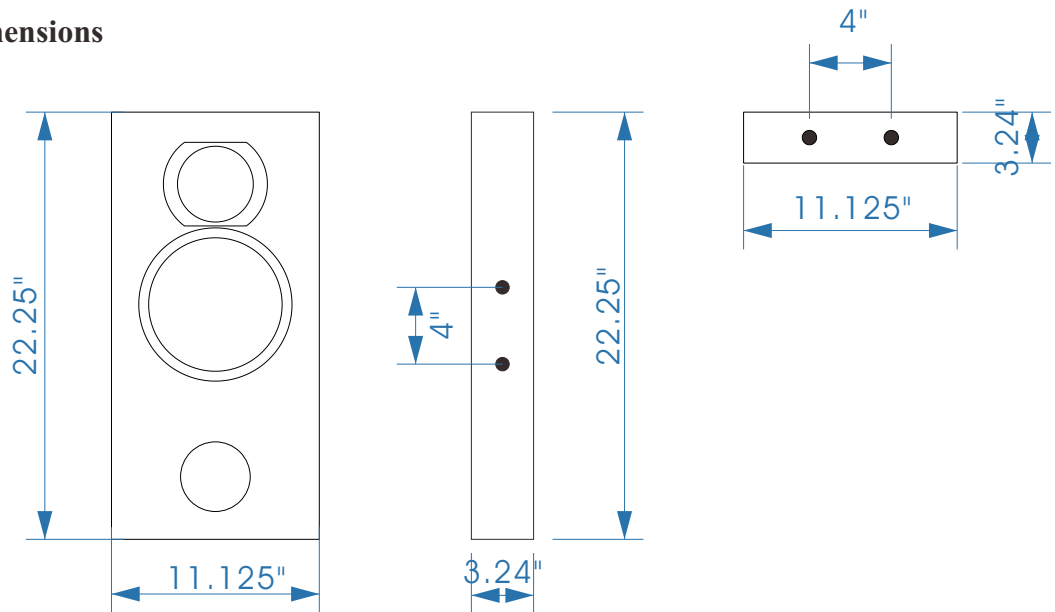
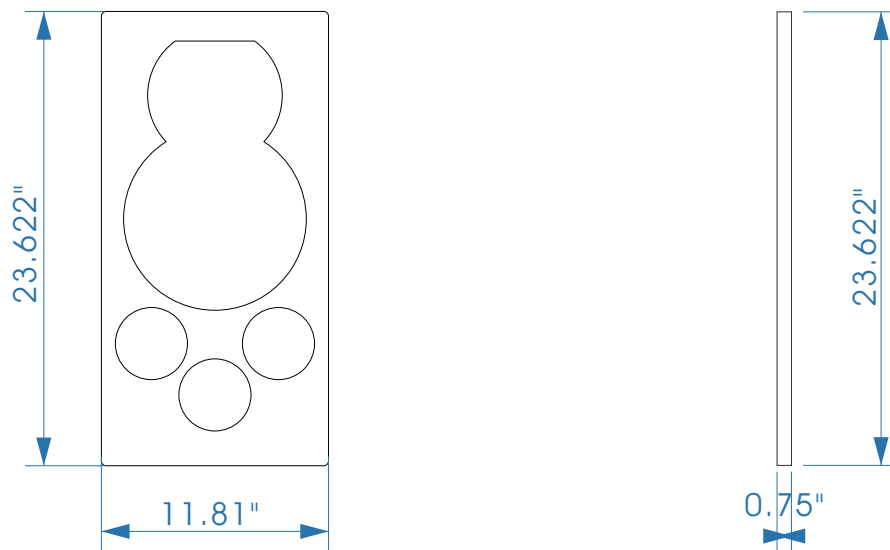
- Sound Reinforcement
- Clubs, Karaoke Clubs, Health Clubs
- Offices, Classrooms, Meeting Rooms
- A/V Systems
- Houses of Worship
- Sport Facilities
- Distributed Systems
- Home Town AV System

FEATURES:

- Damping Speaker Technology
- High power handling - 300 watts(average) and 1200 watts(peak) power capacity
- 90° x 90° horn designed for even coverage and smooth response on and off axis
- 1" Titanium HF Driver
- SP DDP™ Distortion Dynamic Protection
- The advanced network topology crossover design shapes the frequency response to deliver coherent summation in the crossover region
- 3/4" MDF wood, UPWE™ (Ultrachrome Protecting wood enclosures) White polyurea finish
- Easy-to-remove nylon dust mask

Djav Professional
 5157 Cliffwood Dr., Montclair, CA 91763 USA
 info@djav.com
 All information is Copyright 2011 Djav

<http://www.djav.com>

In-Wall Dimensions**Cover Dimensions**

Djav Professional
5157 Cliffwood Dr., Montclair, CA 91763 USA
info@djav.com
All information is Copyright 2011 Djav