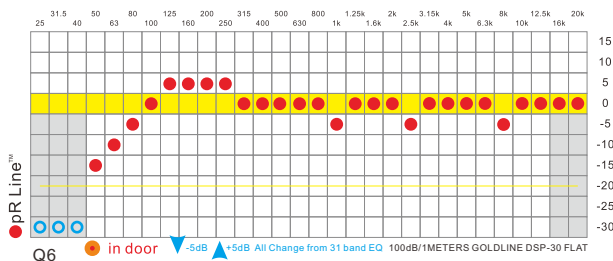


2-way In-Wall Speaker <http://djav.com/av>

- 100% Factory Quality Control
- 100% Factory Speaker Construction
- 100% Factory Tested
- 5 year Warranty
- Manufactured with Pride in the United States

High-Output In-Wall Speaker



SPECIFICATIONS:

System Type:	LF (1 x Djav 8LV2ii)
Multi-way, Full range, bass ported	HF (1 x Djav H452)
Frequency Range:	High Frequency Driver
90 Hz - 20 kHz (-10 dB)	Protection:
100 Hz - 20 kHz (+/-3 dB)	SP DDP™
Power Capacity:	Input Connection:
300 W Average	One two-terminal barrier strip input connectors
1200 W Peak	Enclosure Hardware:
Recommended Power Amplifier:	3/4" MDF wood, UPWE™
Djav Exchange Series	Special White polyurea finish
Sensitivity (1w/1m):	Grille:
96 dB	Nylon dust net cover
Maximum Output:	Cover Dimensions (H x W x D):
129 dB	23.622" x 23.622" x 0.76"
Nominal Impedance:	600 mm x 600 mm x 19.5 mm
8 Ohms	In-Wall Dimensions (H x W x D):
Nominal Dispersion:	22.25" x 22.25" x 3.24"
90° x 90°	565 mm x 565 mm x 83 mm
Crossover:	Weight:
T5r808	45.5 lbs (20.22Kg)
Drivers:	Shipping weight:
	52 lbs (23.10 kg)

APPLICATIONS:

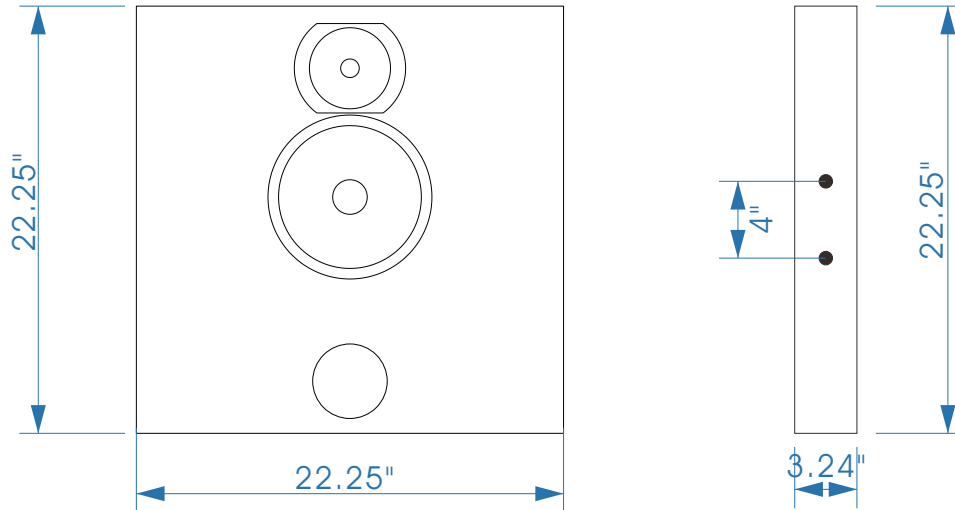
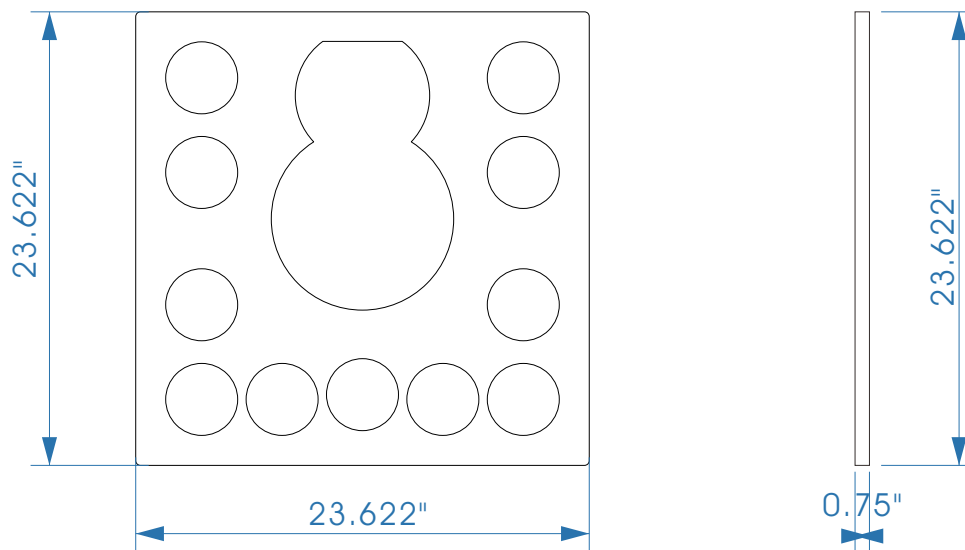
- Sound Reinforcement
- Clubs, Karaoke Clubs, Health Clubs
- Offices, Classrooms, Meeting Rooms
- A/V Systems
- Houses of Worship
- Sport Facilities
- Distributed Systems
- Home Town AV System

FEATURES:

- Damping Speaker Technology
- High power handling - 300 watts(average) and 1200 watts(peak) power capacity
- 90° x 90° horn designed for even coverage and smooth response on and off axis
- 1" Titanium HF Driver
- SP DDP™ Distortion Dynamic Protection
- The advanced network topology crossover design shapes the frequency response to deliver coherent summation in the crossover region
- 3/4" MDF wood, UPWE™ (Ultrachrome Protecting wood enclosures) White polyurea finish
- Easy-to-remove nylon dust mask

Djav Professional
5157 Cliffwood Dr., Montclair, CA 91763 USA
info@djav.com
All information is Copyright 2011 Djav

<http://www.djav.com>

In-Wall Dimensions**Cover Dimensions**

Djav Professional
5157 Cliffwood Dr., Montclair, CA 91763 USA
info@djav.com
All information is Copyright 2011 Djav